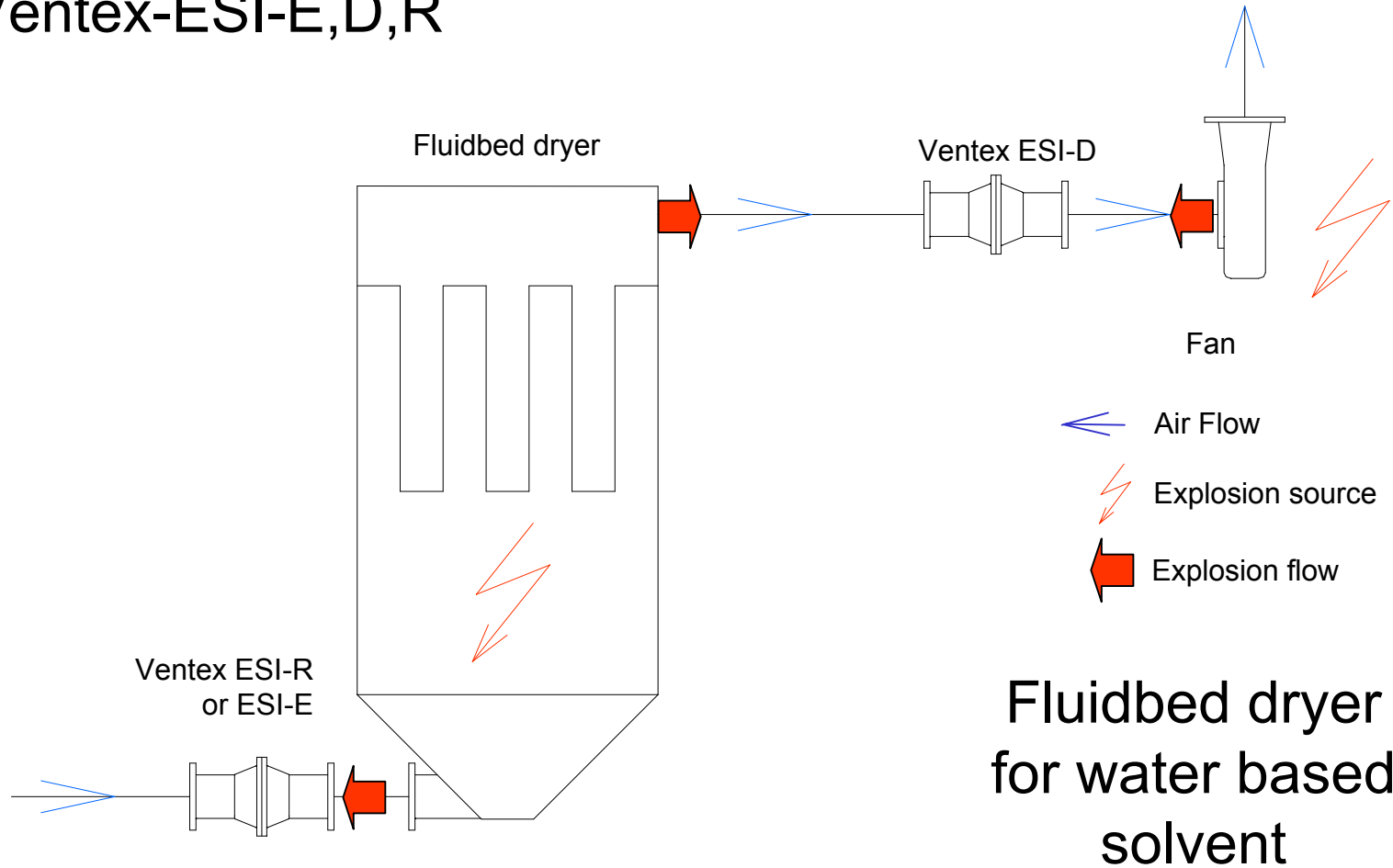


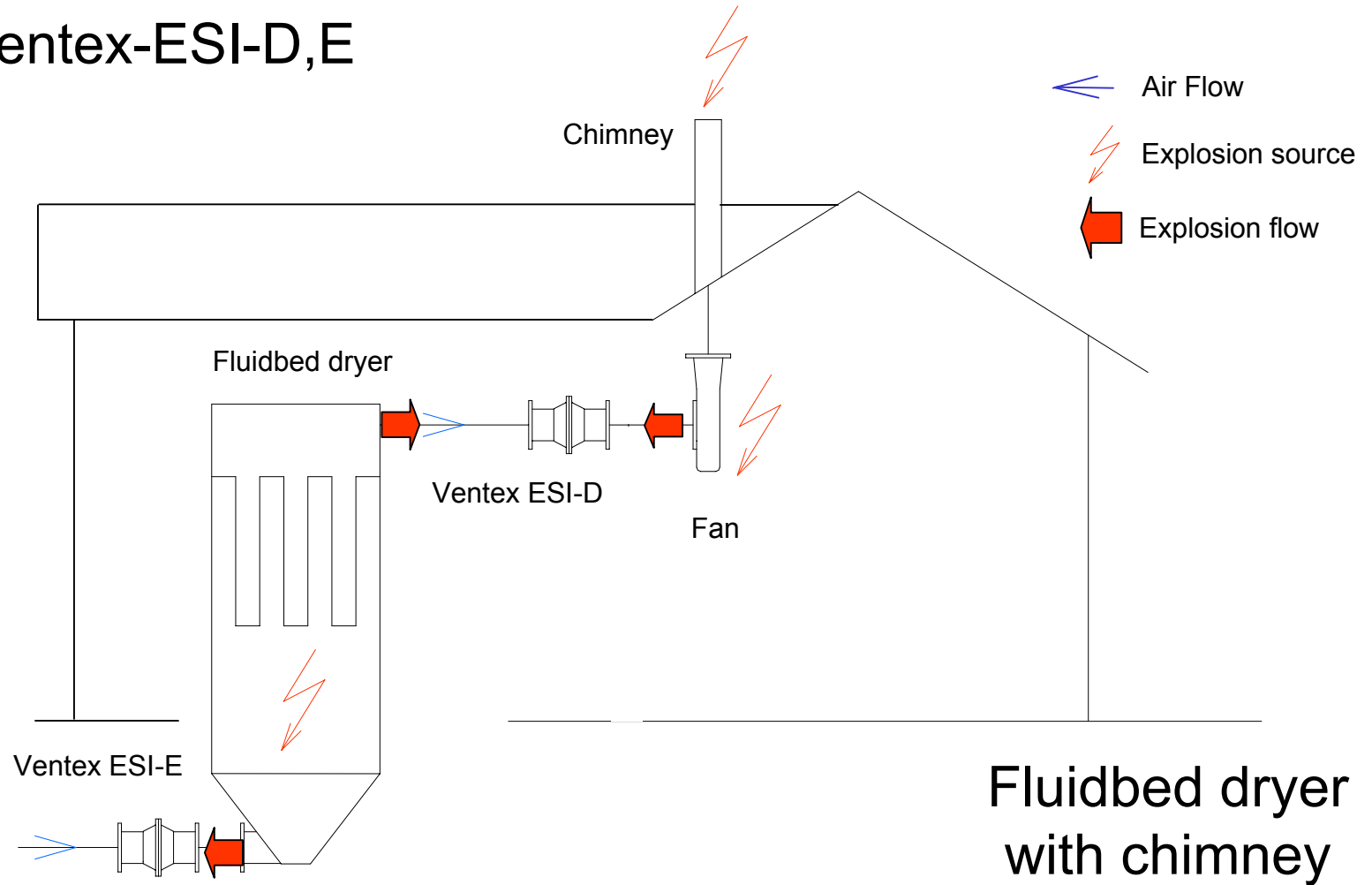


Ventex-ESI-E,D,R



Ventex-ESI application

Ventex-ESI-D,E



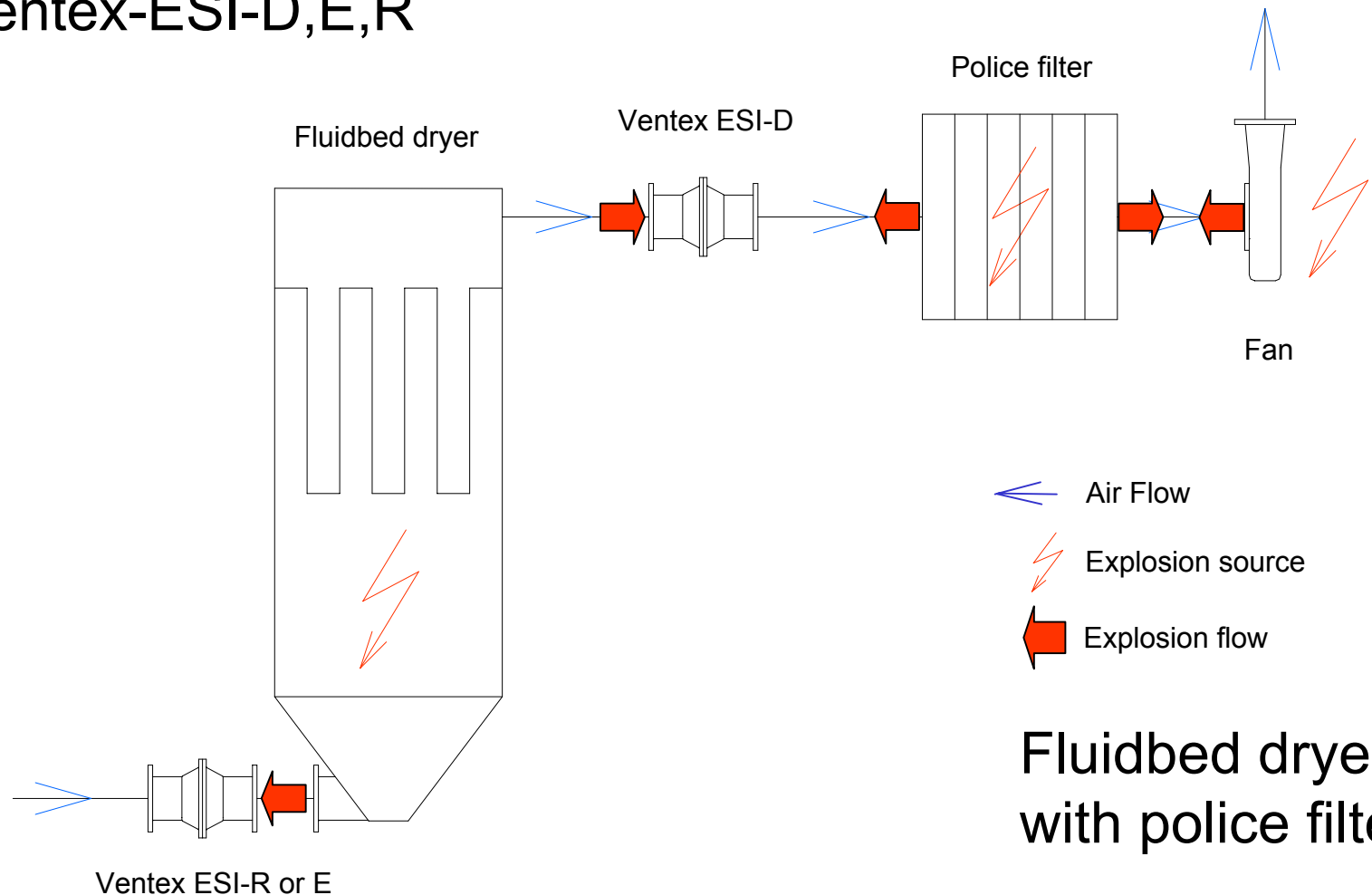


St.Gallerstrasse 26
CH-9100 Herisau
Schweiz /Suisse
Switzerland

Telefon 071/351 10 51
Telefax 071/351 10 52
rico_herisau@compuserve.com
http://www.rico.ch

Ventex-ESI application

Ventex-ESI-D,E,R

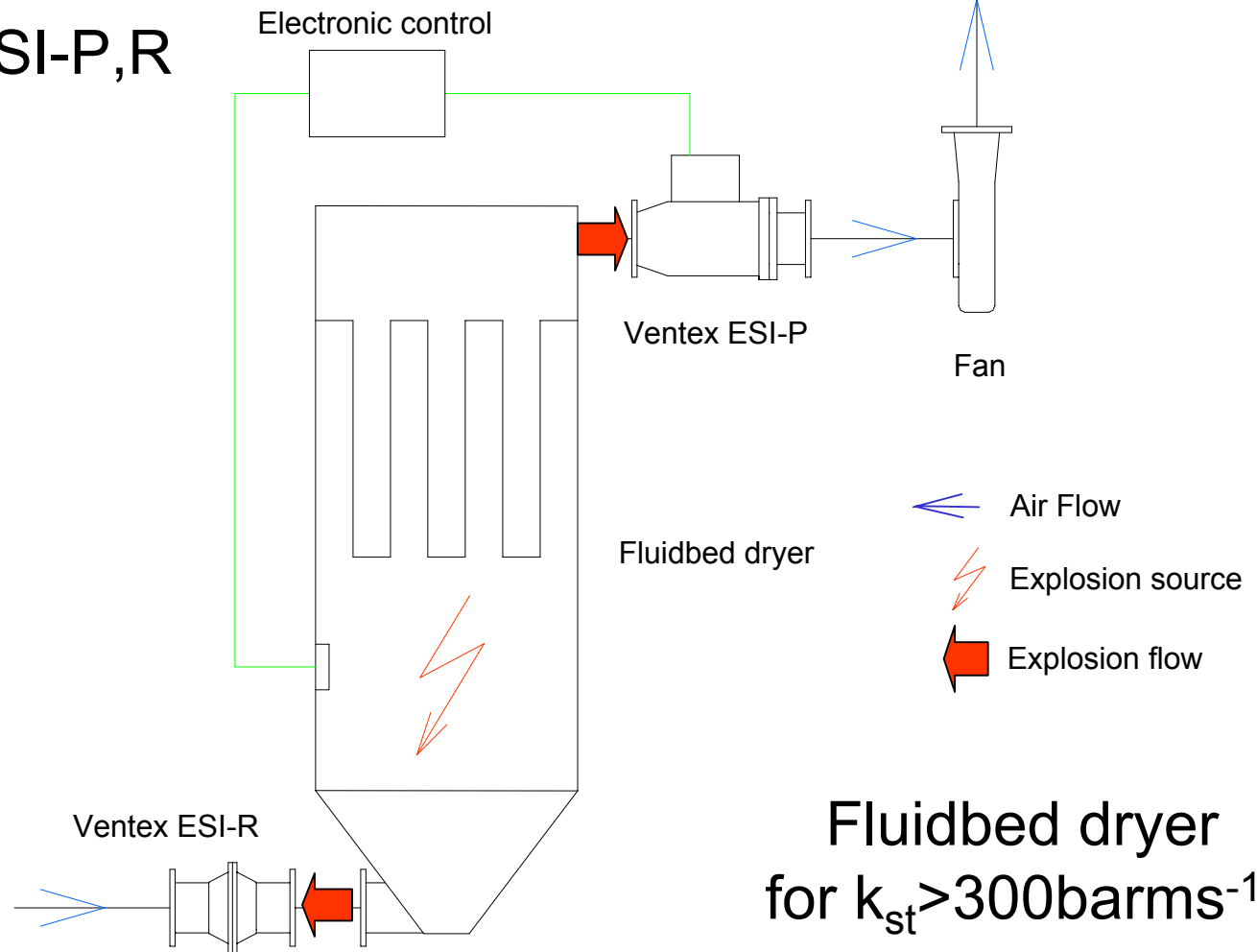


Fluidbed dryer with police filter



Ventex-ESI application

Ventex-ESI-P,R





St.Gallerstrasse 26
CH-9100 Herisau
Schweiz /Suisse
Switzerland

Telefon 071/351 10 51
Telefax 071/351 10 52
rico_herisau@compuserve.com
<http://www.rico.ch>

ATEX Explosion Protection, L.P.
600 North Thacker Avenue, Suite D-39
Kissimmee, FL 34741
Tel: 407-932-0900, Fax: 407-932-0909
E-mail: ATEXUS@AOL.COM

Ventex-ESI application

Ventex-ESI-E,R

Dust Filter



Ventex ESI-E



Ventex ESI-R



Air Flow



Explosion source



Explosion flow

Suction hood

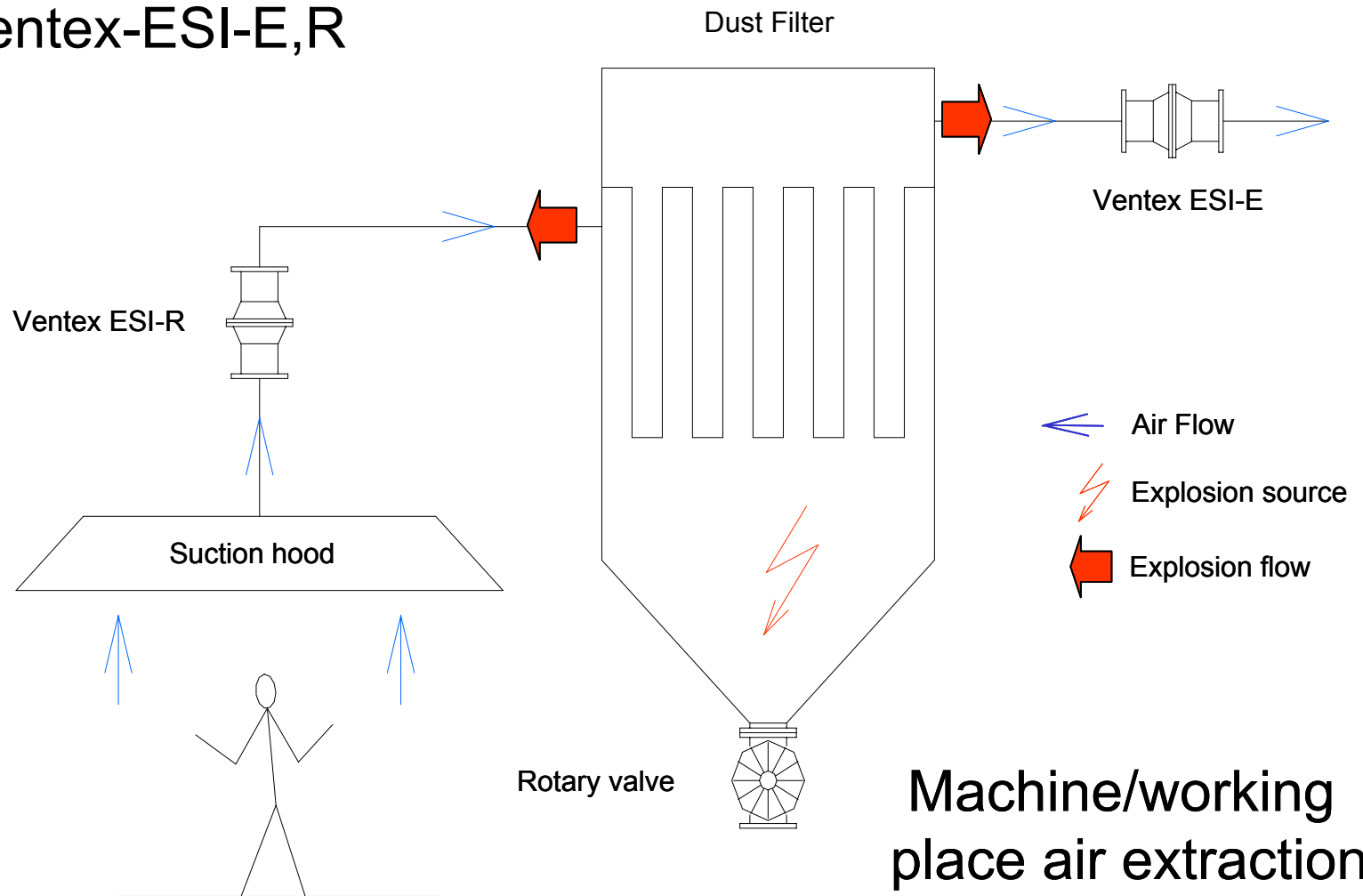
Rotary valve

Machine/working place air extraction



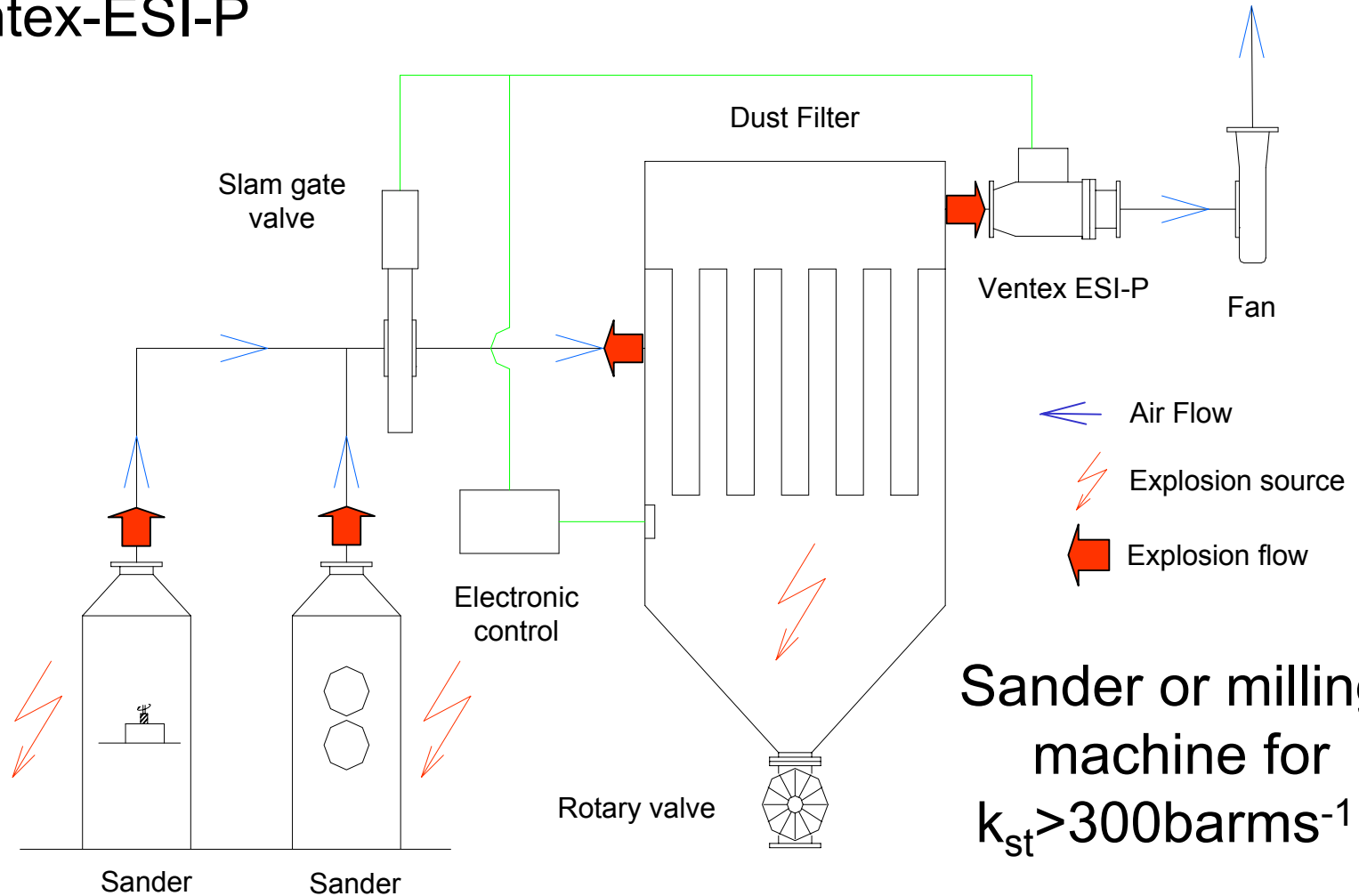
Ventex-ESI application

Ventex-ESI-E,R



Ventex-ESI application

Ventex-ESI-P

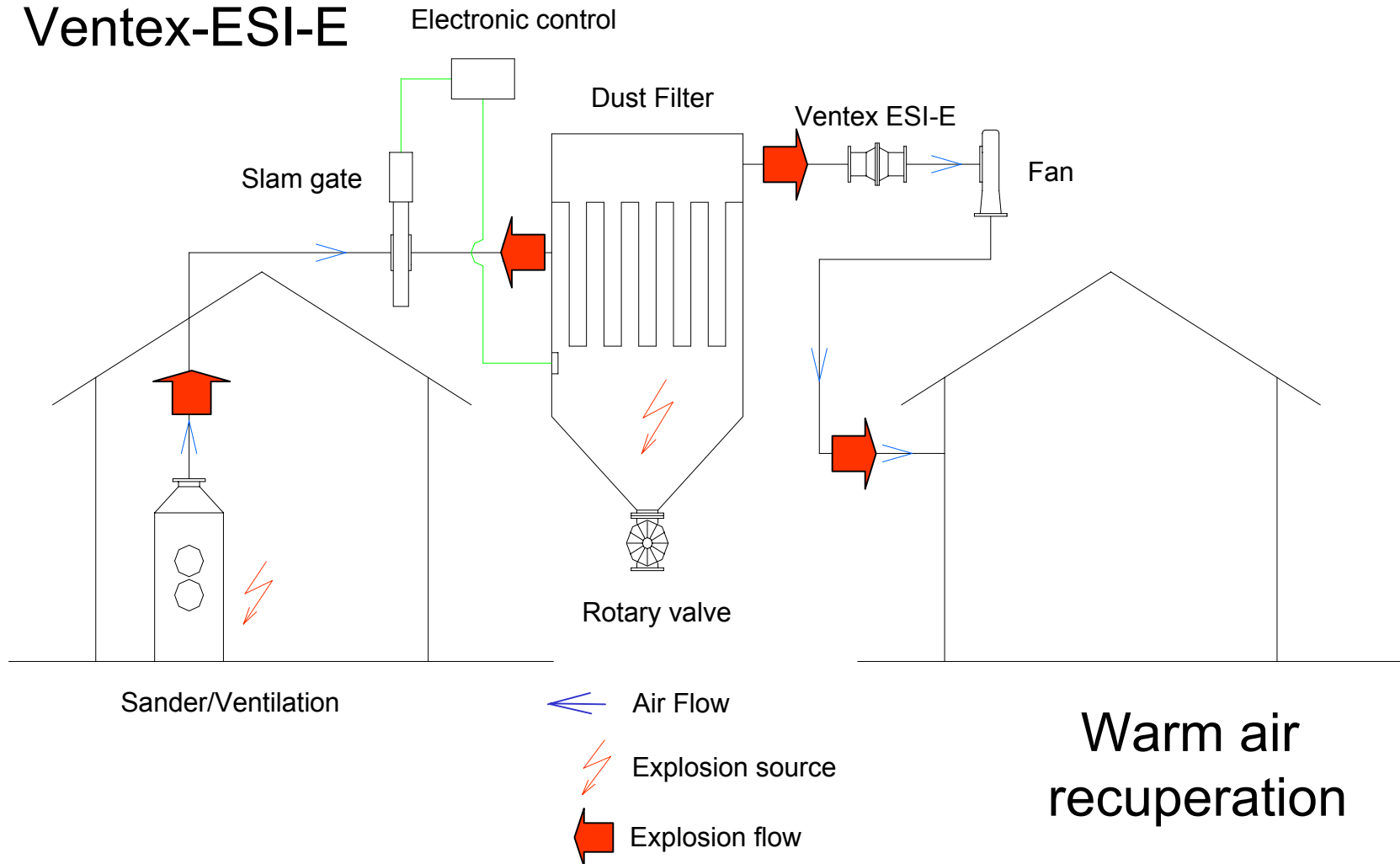


Sander or milling machine for $k_{st} > 300 \text{ barsms}^{-1}$

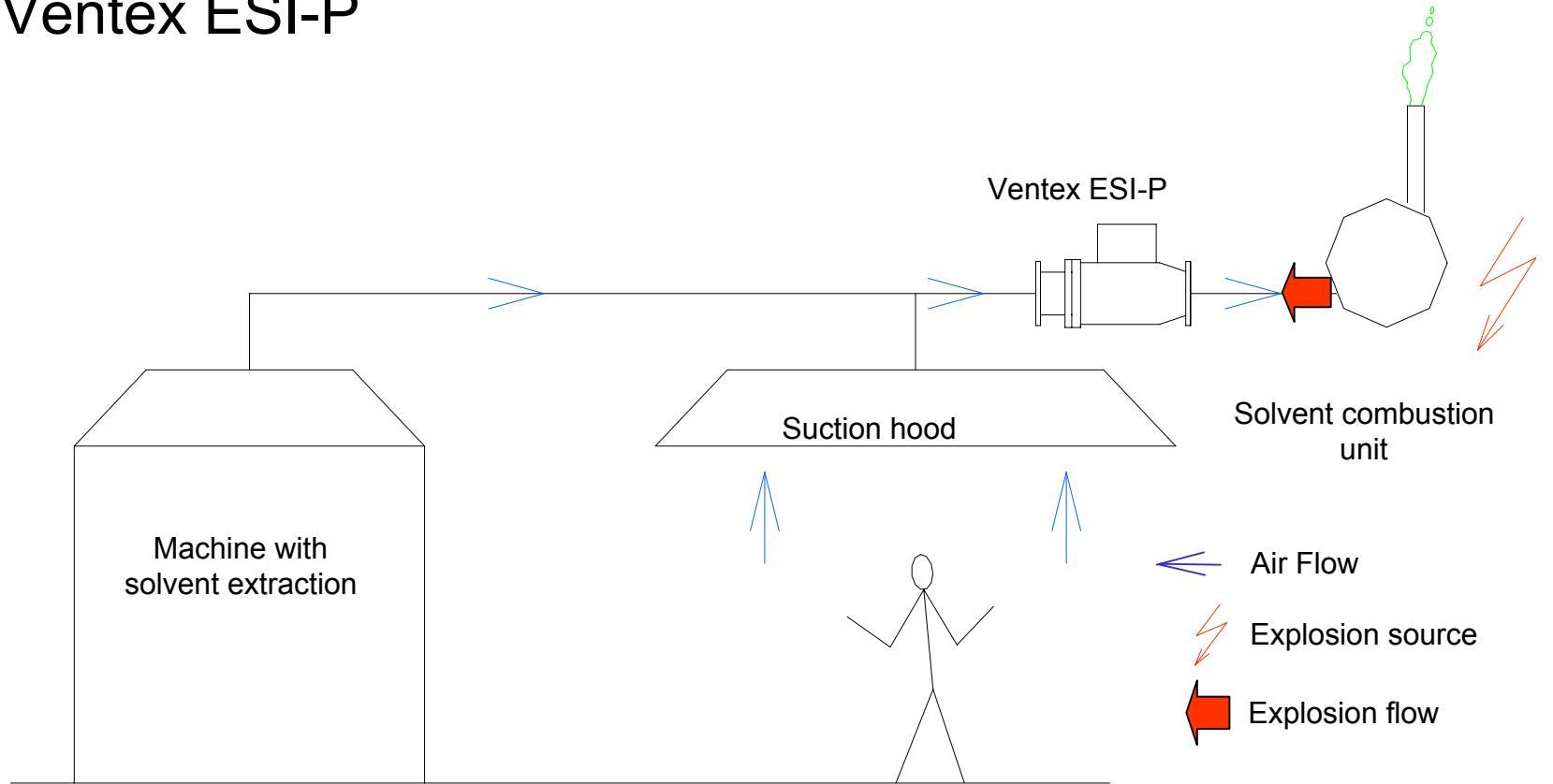


Ventex-ESI application

Ventex-ESI-E



Ventex ESI-P



Solvent combustion installation